

用途: 用于单节锂离子或锂聚合物电池组的保护 IC。

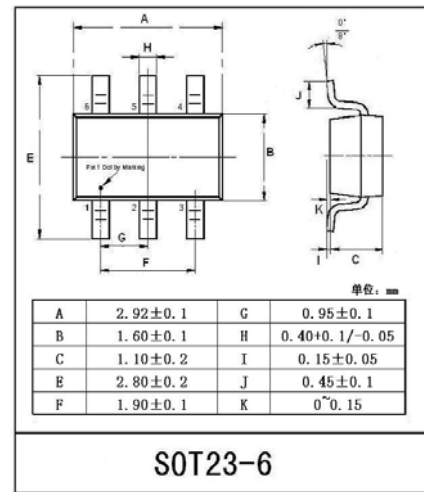
Purpose: Protection IC for One-Cell Lithium-Ion / Lithium-Polymer Battery Pack.

特点: 超低静态电流, 超低掉电电流, 精密过充保护电压, 过充过程中负载模式检测功能。

Features: Ultra-Low Quiescent Current ,Ultra-Low Power-Down Current ,Precision Overcharge Protection Voltage ,Load Detection Function during Overcharge Mode.

极限参数/Absolute maximum ratings (Ta=25°C)

参数符号 Symbol	数值 Rating	单位 Unit
V <sub>DD</sub>	VSS-0.3 to VSS+10	V
V <sub>OC</sub>	VDD-26 to VDD+0.3	V
V <sub>OD</sub>	VSS-0.3 to VDD+0.3	V
V <sub>CS</sub>	VDD-26 to VDD+0.3	A
T <sub>OP</sub>	-40 to +85	A
T <sub>ST</sub>	-40 to +125	A

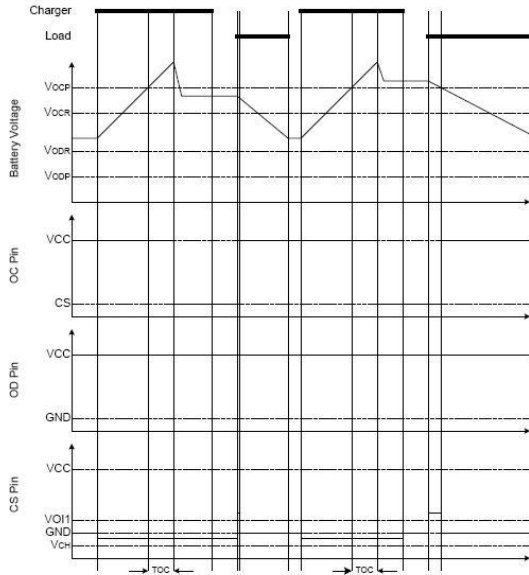


电性能参数/Electrical Characteristics (Ta=25°C)

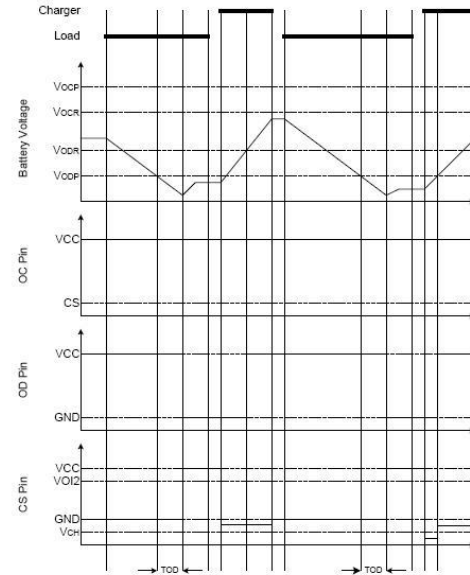
参数符号 Symbol	测试条件 Test Conditions	最小值 Min	典型值 Typ	最大值 Max	单位 Unit
I <sub>CC</sub>	V <sub>CC</sub> =3.9V		3	6	μA
I <sub>PD</sub>	V <sub>CC</sub> =2V			0.1	μA
V <sub>OCP</sub>	DW01 Plus	4.25	4.3	4.35	V
V <sub>OCR</sub>		4.05	4.1	4.15	V
V <sub>ODP</sub>		2.3	2.4	2.5	V
V <sub>ODR</sub>		2.9	3.0	3.1	V
V <sub>OIP</sub> (V <sub>O11</sub> )		120	150	180	mV
V <sub>OIP</sub> (V <sub>O12</sub> )	V <sub>CC</sub> =3.6V	1.25	1.35	1.45	V
T <sub>OC</sub>	V <sub>CC</sub> =3.6V to 2.0V		80	200	ms
T <sub>OD</sub>	V <sub>CC</sub> =3.6V		20	60	ms
T <sub>O11</sub>	V <sub>CC</sub> =3.6V		10	20	ms
T <sub>O12</sub>			5	50	μs
V <sub>CH</sub>		-1.2	-0.7	-0.2	V
V <sub>DH</sub>		V <sub>CC</sub> -0.1	V <sub>CC</sub> -0.02		V
V <sub>DL</sub>			0.1	0.5	V
V <sub>CH</sub>		V <sub>CC</sub> -0.1	V <sub>CC</sub> -0.02		V
V <sub>CL</sub>			0.1	0.5	V

印章/Marking: DW01

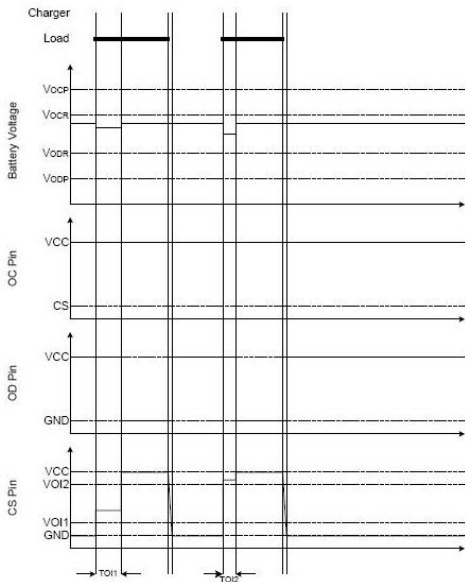
Overcharge Condition → Load Discharging → Normal Condition



Overdischarge Condition → Charging by a Charger → Normal Condition



Over Current Condition → Normal Condition



## 引脚说明/Pin Configuration

Pin No.	Symbol	Description
1	OD	MOSFET gate connection pin for discharge control
2	CS	Input pin for current sense, charger detect
3	OC	MOSFET gate connection pin for charge control
4	TD	Test pin for reduce delay time
5	VCC	Power supply, through a resistor (R1)
6	GND	Ground pin

