

## BC-5W4UW08WKP30

2.7卡

### Description 产品描述:

- **5mm Round Lamp**                      **5mm 圆头灯**
- **Lens Color**                              胶体颜色: White diffused (白色散射)
- **Emission Color**                        发光颜色: **Ultra Bright White** 甚高亮白光
- **Viewing Angle**                        半功率视角: 30°
- **No Stopper**                            无卡位
- **Dice Material**                        晶片材质: **InGaN**

### Absolute Maximum Ratings( $T_a=25^\circ\text{C}$ )最大限度性能参数( $T_a=25^\circ\text{C}$ )

Items 项目	Symbol 符号	Absolute maximum Rating 最大限度	Unit 单位
DC Forward Current 正向电流*	$I_F$	30	mA
Peak Forward Current*正向峰值电流	$I_{FP}$	120	mA
Reverse Voltage 反向电压	$V_R$	5	V
Power Dissipation 消耗功率	$P_D$	108	mW
Operation Temperature 工作温度	$T_{opr}$	-30~+70	°C
Storage Temperature 储存温度	$T_{stg}$	-40~+100	°C
Lead Soldering Temperature	$T_{sol}$	Max. 260°C for 5 sec Max. (3mm from the base of the epoxy bulb) 最大 260°C 5 秒钟以内. (自胶体底部)	

\*pulse width $\leq$ 0.1msec    duty $\leq$ 1/10 脉冲宽度 $\leq$ 0.1msec    占空比 $\leq$ 1/10

### Typical Electrical & Optical Characteristics( $T_a=25^\circ\text{C}$ )产品光电特性( $T_a=25^\circ\text{C}$ )

Items 项目	Symbol 符号	Condition 条件	Min. 最小值	Typ. 平均值	Max. 最大值	Unit 单位
Forward Voltage 正向电压	$V_F$	$I_F=20\text{mA}$	2.98	3.05	3.2	V
Reverse Current 反向电流	$I_R$	$V_R=5\text{V}$	---	0.3	10	$\mu\text{A}$
Color Temperature 色温	CCT	$I_F=20\text{mA}$	9054	9527	9821	K
Chromaticity Coordinates 色座标	X	$I_F=20\text{mA}$	---	0.3130	---	---
	Y	$I_F=20\text{mA}$	---	0.3290	---	---
Luminous Intensity 发光强度	$I_v$	$I_F=20\text{mA}$	---		---	mcd
50% power Angle 半功率角度	201/2H-H	$I_F=20\text{mA}$	---	30	---	deg
	201/2V-V	$I_F=20\text{mA}$	---	---	---	deg

### Rank Combination (IF=20mA) 档次分类(IF=20mA)

<b>Luminous Rank</b> 亮度分类	<b>4000-4500</b>	<b>4500-5000</b>	<b>5000-5500</b>	5500-6000
	√	√	√	√

**\*Measurement Uncertainty of Luminous Intensity: ±10%**  
亮度误差±10%

**Unit单位:mcd**

<b>Forward Voltage Rank</b> 工作电压分类	<b>2.9-3.0</b>	<b>3.0-3.1</b>	<b>3.1-3.2</b>	
	√	√	√	

**\*Measurement Uncertainty of Forward Voltage: ±0.1V**  
电压误差±0.1V

**Unit单位:V**

## Color Ranks 色座标 (IF=20Ma, Ta=25°C)

Color Ranks		CIE				CC T
	<b>X</b>	<b>0.2400</b>	<b>0.2591</b>	<b>0.2817</b>	<b>0.2670</b>	<b>15000K- 55000K</b>
	<b>Y</b>	<b>0.2330</b>	<b>0.2709</b>	<b>0.2433</b>	<b>0.2150</b>	
	<b>X</b>	<b>0.2591</b>	<b>0.2813</b>	<b>0.2973</b>	<b>0.2817</b>	<b>9000K-15000K</b>
	<b>Y</b>	<b>0.2709</b>	<b>0.3100</b>	<b>0.2721</b>	<b>0.2433</b>	
	<b>X</b>	<b>0.2813</b>	<b>0.3050</b>	<b>0.3135</b>	<b>0.2973</b>	<b>6800K-9000K</b>
	<b>Y</b>	<b>0.3100</b>	<b>0.3450</b>	<b>0.2969</b>	<b>0.2721</b>	
	<b>X</b>	<b>0.3050</b>	<b>0.3300</b>	<b>0.3300</b>	<b>0.3135</b>	<b>5600K-6800K</b>
	<b>Y</b>	<b>0.3450</b>	<b>0.3716</b>	<b>0.3170</b>	<b>0.2969</b>	
	<b>X</b>	<b>0.3300</b>	<b>0.3638</b>	<b>0.3540</b>	<b>0.3300</b>	<b>4600K-5600K</b>
	<b>Y</b>	<b>0.3716</b>	<b>0.4001</b>	<b>0.3400</b>	<b>0.3170</b>	

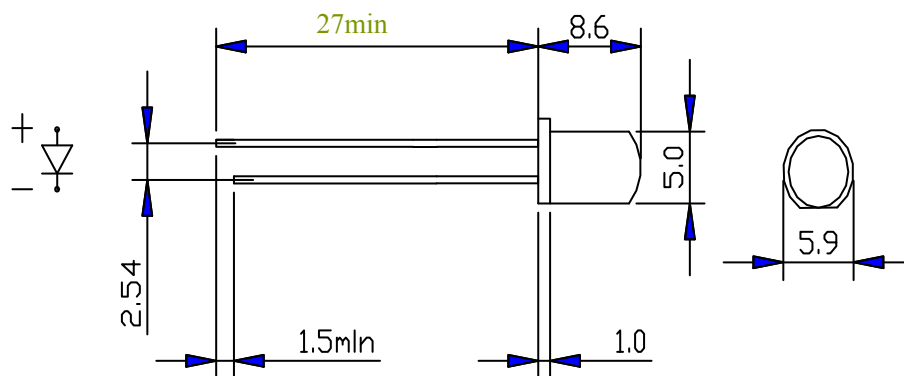
\*Measurement Uncertainty of the color coordinates:  $\pm 0.015$   
色座标X、Y的测量公差为 $\pm 0.015$

\*Measurement Uncertainty of Color Temperature  $\pm 100K$   
色温误差 $\pm 100K$

Unit单位:K



## Outline Drawing 外形图:



### NOTES 备注:

1. All dimensions area in mm tolerance is  $\pm 0.25\text{mm}$  unless otherwise noted. 所有尺寸单位为 mm, 如无特殊说明误差范围为  $\pm 0.25$  mm.
2. An epoxy meniscus may extend about 0.5mm down the leads. 胶体沿支架延伸不可超过 0.5 mm.
3. Burr around bottom of epoxy may be 0.5mm max. 多胶不超过 0.5mm.