

BC-5W4UC08WKP20

2.7卡

Description 产品描述:

- **5mm Round Lamp** **5mm 圆头灯**
- **Lens Color** 胶体颜色: **Water clear** 无色透明
- **Emission Color** 发光颜色: **Ultra Bright White** 甚高亮白光
- **Viewing Angle** 半功率视角: 20°
- **No Stopper** 无卡位
- **Dice Material** 晶片材质: **InGaN**

Absolute Maximum Ratings($T_a=25^{\circ}\text{C}$)最大限度性能参数($T_a=25^{\circ}\text{C}$)

Items 项目	Symbol 符号	Absolute maximum Rating 最大限度	Unit 单位
DC Forward Current 正向电流*	I_F	30	mA
Peak Forward Current*正向峰值电流	I_{FP}	120	mA
Reverse Voltage 反向电压	V_R	5	V
Power Dissipation 消耗功率	P_D	108	mW
Operation Temperature 工作温度	T_{opr}	-30~+70	$^{\circ}\text{C}$
Storage Temperature 储存温度	T_{stg}	-40~+100	$^{\circ}\text{C}$
Lead Soldering Temperature	T_{sol}	Max. 260 $^{\circ}\text{C}$ for 5 sec Max. (3mm from the base of the epoxy bulb) 最大 260 $^{\circ}\text{C}$ 5 秒钟以内. (自胶体底部)	

*pulse width $\leq 0.1\text{msec}$ duty $\leq 1/10$ 脉冲宽度 $\leq 0.1\text{msec}$ 占空比 $\leq 1/10$

Typical Electrical & Optical Characteristics($T_a=25^{\circ}\text{C}$)产品光电特性($T_a=25^{\circ}\text{C}$)

Items 项目	Symbol 符号	Condition 条件	Min. 最小值	Typ. 平均值	Max. 最大值	Unit 单位
Forward Voltage 正向电压	V_F	$I_F = 20\text{mA}$	3.0	3.15	3.3	V
Reverse Current 反向电流	I_R	$V_R = 5\text{V}$	---	---	10	μA
Color Temperature 色温	CCT	$I_F = 20\text{mA}$	---	6000		K
Chromaticity Coordinates 色座标	X	$I_F = 20\text{mA}$	---	0.3130	---	---
	Y	$I_F = 20\text{mA}$	---	0.3290	---	---
Luminous Intensity 发光强度	I_v	$I_F = 20\text{mA}$	---	24000	---	mcd
50% power Angle 半功率角度	201/2H-H	$I_F = 20\text{mA}$	---	20	---	deg
	201/2V-V	$I_F = 20\text{mA}$	---	---	---	deg

Rank Combination (IF=20mA) 档次分类(IF=20mA)

Luminous Rank 亮度分类	22000-24000	24000-26000		
	√	√		

***Measurement Uncertainty of Luminous Intensity: ±10%**
亮度误差±10%

Unit单位:mcd

Forward Voltage Rank 工作电压分类	3.0-3.2	3.2-3.4		
	√	√		

***Measurement Uncertainty of Forward Voltage: ±0.1V**
电压误差±0.1V

Unit单位:V

Color Ranks 色座标 (IF=20Ma, Ta=25°C)

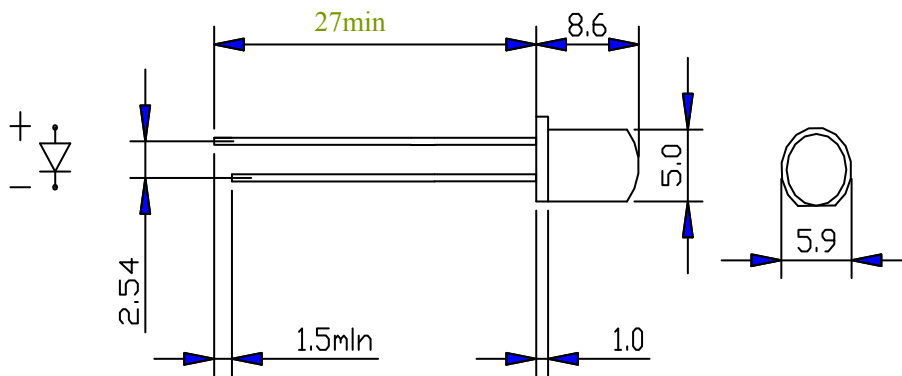
Color Ranks		CIE				CC T
	X	0.2400	0.2591	0.2817	0.2670	15000K- 55000K
	Y	0.2330	0.2709	0.2433	0.2150	
	X	0.2591	0.2813	0.2973	0.2817	9000K-15000K
	Y	0.2709	0.3100	0.2721	0.2433	
	X	0.2813	0.3050	0.3135	0.2973	6800K-9000K
	Y	0.3100	0.3450	0.2969	0.2721	
	X	0.3050	0.3300	0.3300	0.3135	5600K-6800K
	Y	0.3450	0.3716	0.3170	0.2969	
	X	0.3300	0.3638	0.3540	0.3300	4600K-5600K
	Y	0.3716	0.4001	0.3400	0.3170	

*Measurement Uncertainty of the color coordinates: ± 0.015
色座标X、Y的测量公差为 ± 0.015

*Measurement Uncertainty of Color Temperature $\pm 100K$
色温误差 $\pm 100K$

Unit单位:K

Outline Drawing 外形图:



NOTES 备注:

1. All dimensions area in mm tolerance is $\pm 0.25\text{mm}$ unless otherwise noted. 所有尺寸单位为 mm, 如无特殊说明误差范围为 ± 0.25 mm.
2. An epoxy meniscus may extend about 0.5mm down the leads. 胶体沿支架延伸不可超过 0.5 mm.
3. Burr around bottom of epoxy may be 0.5mm max. 多胶不超过 0.5mm.