

BC-5W2UC52WKD65

Description 产品描述:

- | | |
|------------------|--------------------------------|
| ■ 5mm Round Lamp | 5mm 大钢盏灯 |
| ■ Lens Color | 胶体颜色: Water clear 无色透明 |
| ■ Emission Color | 发光颜色: Ultra Bright White 甚高亮白光 |
| ■ Viewing Angle | 半功率视角: 65° |
| ■ No Stopper | 无卡位 |
| ■ Dice Material | 晶片材质: InGaN |

Absolute Maximum Ratings(T_a=25°C)最大限度性能参数(T_a=25°C)

Items 项目	Symbol 符号	Absolute maximum Rating 最大限度	Unit 单位
DC Forward Current 正向电流*	I _F	30	mA
Peak Forward Current*正向峰值电流	I _{FP}	120	mA
Reverse Voltage 反向电压	V _R	5	V
Power Dissipation 消耗功率	P _D	108	mW
Operation Temperature 工作温度	T _{opr}	-30~+70	°C
Storage Temperature 储存温度	T _{stg}	-40~+100	°C
Lead Soldering Temperature 焊锡温度	T _{sol}	Max. 260°C for 5 sec Max. (3mm from the base of the epoxy bulb) 最大 260°C 5 秒钟以内. (自胶体底部 3mm 以下)	

*pulse width≤0.1msec duty≤1/10 脉冲宽度≤0.1msec 占空比≤1/10

Typical Electrical & Optical Characteristics(T_a=25°C) 产品光电特性(T_a=25°C)

Items 项目	Symbol 符号	Condition 条件	Min. 最小值	Typ. 平均值	Max. 最大值	Unit 单位
Forward Voltage 正向电压	V _F	I _F =20mA	3.0	3.2	3.6	V
Reverse Current 反向电流	I _R	V _R =5V	---	---	10	μA
Color Temperature 色温	CCT	I _F =20mA	---	6500	---	K
Chromaticity Coordinates 色座标	X	I _F =20mA	---	0.3130	---	---
	Y	I _F =20mA	---	0.3290	---	---
Luminous Intensity 发光强度	I _v	I _F =20mA	---	3500	---	mcd
50% power Angle 半功率角度	201/2H-H	I _F =20mA	---	65	---	deg
	201/2V-V	I _F =20mA	---	---	---	deg



Rank Combination (IF=20mA)档次分类(IF=20mA)

Luminous Rank 亮度分类	2500~3000	3000~3500	3500~4000	

*Measurement Uncertainty of Luminous Intensity: $\pm 10\%$
亮度误差 $\pm 10\%$

Unit单位:mcd

Forward Voltage Rank 工作电压分类	3.0~3.2	3.2~3.4	3.4~3.6	

*Measurement Uncertainty of Forward Voltage: $\pm 0.1V$
电压误差 $\pm 0.1V$

Unit单位:V



Color Ranks色座标(IF=20Ma,Ta=25℃)

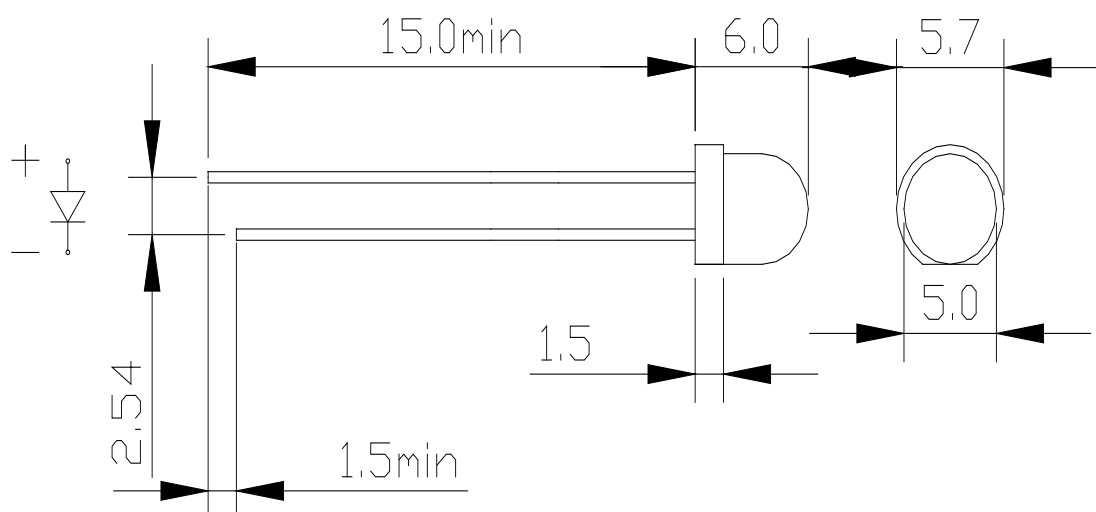
Color Ranks		CIE				CCT
	X	0.2400	0.2591	0.2817	0.2670	15000K-55000K
	Y	0.2330	0.2709	0.2433	0.2150	
	X	0.2591	0.2813	0.2973	0.2817	9000K-15000K
	Y	0.2709	0.3100	0.2721	0.2433	
	X	0.2813	0.3050	0.3135	0.2973	6800K-9000K
	Y	0.3100	0.3450	0.2969	0.2721	
	X	0.3050	0.3300	0.3300	0.3135	5600K-6800K
	Y	0.3450	0.3716	0.3170	0.2969	
	X	0.3300	0.3638	0.3540	0.3300	4600K-5600K
	Y	0.3716	0.4001	0.3400	0.3170	

*Measurement Uncertainty of the color coordinates:±0.015
色座标X、Y的测量公差为±0.015

*Measurement Uncertainty of Color Temperature ±100K
色温误差±100K

Unit单位:K

Outline Drawing 外形图:



NOTES 备注:

1. All dimensions area in mm tolerance is $\pm 0.25\text{mm}$ unless otherwise noted. 所有尺寸单位为 mm, 如无特殊说明误差范围为 $\pm .25$ mm.
2. An epoxy meniscus may extend about 0.5mm down the leads. 胶体沿支架延伸不可超过 0.5 mm.
3. Burr around bottom of epoxy may be 0.5mm max. 多胶不超过 0.5mm.