

BC- 3B2UW302WKD36

3.9 卡

Description 产品描述:

- **3mm Round Lamp** 3mm 有边圆头灯
- **Lens Color** 胶体颜色: 雾状白色
- **Emission Color** 发光颜色: **Ultra Bright Blue** 甚高亮蓝光
- **Viewing Angle** 半功率视角: **36°**
- **No Stopper** 无卡位
- **Dice Material** 晶片材质: **InGaN**

Absolute Maximum Ratings($T_a=25^\circ\text{C}$)最大限度性能参数($T_a=25^\circ\text{C}$)

| Items 项 | Symbol 符号 | Absolute maximum Rating 最大限度 | Unit 单位 |
|-----------------------------|-----------|---|------------------|
| DC Forward Current 正向电流* | I_F | 20 | mA |
| Peak Forward Current*正向峰值电流 | I_{FP} | 100 | mA |
| Reverse Voltage 反向电压 | V_R | 5 | V |
| Power Dissipation 消耗功率 | P_D | 72 | mW |
| Operation Temperature 工作温度 | T_{opr} | -40~+85 | $^\circ\text{C}$ |
| Storage Temperature 储存温度 | T_{stg} | -40~+100 | $^\circ\text{C}$ |
| Lead Soldering Temperature | T_{sol} | Max. 260 $^\circ\text{C}$ for 5 sec Max. (3mm from the base of the epoxy bulb)最大 260 $^\circ\text{C}$ 5 秒钟以内。(自胶体底部 | |

*pulse width \leq 0.1msec duty \leq 1/10 脉冲宽度 \leq 0.1msec 占空比 \leq 1/10

Typical Electrical & Optical Characteristics($T_a=25^\circ\text{C}$)产品光电特性($T_a=25^\circ\text{C}$)

| Items 项目 | Symbol 符号 | Condition 条件 | Min. 最小值 | Typ. 平均值 | Max. 最大值 | Unit 单位 |
|-------------------------|-------------|-------------------|----------|----------|----------|---------------|
| Forward Voltage 正向电压 | V_F | $I_F=20\text{mA}$ | --- | 3.10 | 3.3 | V |
| Reverse Current 反向电流 | I_R | $V_R=5\text{V}$ | --- | --- | 10 | μA |
| Dominant Wavelength 主波长 | λ_D | $I_F=20\text{mA}$ | --- | 460 | --- | nm |
| Luminous Intensity 发光强度 | I_V | $I_F=20\text{mA}$ | --- | 670 | --- | mcd |
| 50% power Angle 半功率角度 | 201/2H-H | $I_F=20\text{mA}$ | --- | 36 | --- | deg |
| | 201/2V-V | $I_F=20\text{mA}$ | --- | --- | --- | deg |

Rank Combination (I_F=20mA) 档次分类(I_F=20mA)

| | | | | |
|------------------------------|----------------|--|--|--|
| Luminous Rank 亮度分类 | 600-800 | | | |
| | √ | | | |

*Measurement Uncertainty of Luminous Intensity: $\pm 10\%$
亮度误差 $\pm 10\%$

Unit 单位:mcd

| | | | | |
|---------------------------------------|----------------|----------------|----------------|----------------|
| Forward Voltage Rank 工作电压分类 | 2.8~3.0 | 3.0~3.2 | 3.2~3.3 | 3.4~3.6 |
| | | √ | √ | |

*Measurement Uncertainty of Forward Voltage: $\pm 0.1V$
电压误差 $\pm 0.1V$

Unit 单位:V

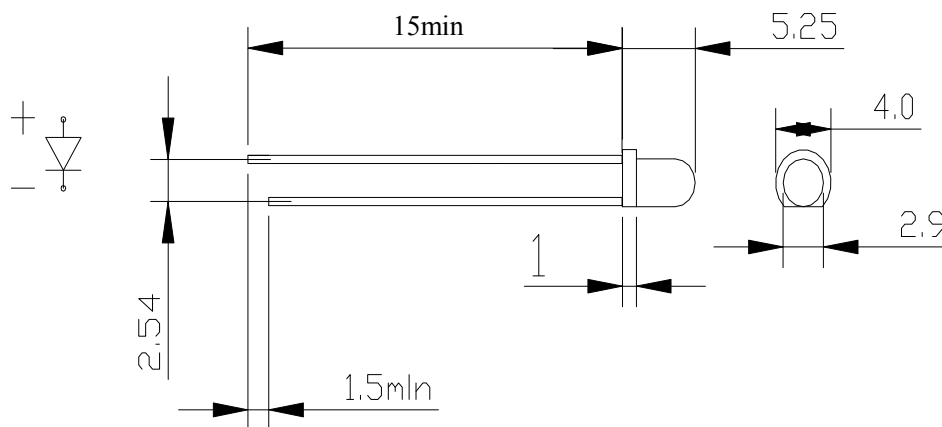
| | | | | |
|---------------------------------|----------------|--|--|--|
| Dominant Wavelength Rank | 458~461 | | | |
| | √ | | | |

*Measurement Uncertainty of Dominant Wavelength $\pm 1.0nm$
主波长误差 $\pm 1.0nm$

Unit 单位:nm



Outline Drawing 外形图:



NOTES 备注:

1. All dimensions area in mm tolerance is $\pm 0.25\text{mm}$ unless otherwise noted. 所有尺寸单位为 mm, 如无特殊说明误差范围为 ± 0.25 mm.
2. An epoxy meniscus may extend about 0.5mm down the leads. 胶体沿支架延伸不可超过 0.5 mm.
3. Burr around bottom of epoxy may be 0.5mm max. 多胶不超过 0.5mm.