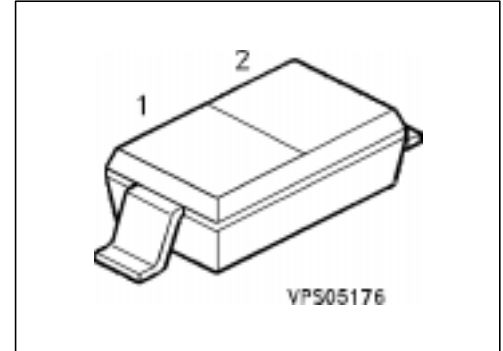




Silicon Variable Capacitance Diode

- For tuning of extended frequency bands in VHF TV/VTR tuners



Type	Ordering Code (tape and reel)	Pin Configuration			Marking	Package
		1		2		
BB 619	Q62702-B570	C		A	yellow S	SOD-123

Maximum Ratings

Parameter	Symbol	Values	Unit
Reverse voltage	V_R	30	V
Reverse voltage ($R = 5\text{ k}\Omega$)	V_{RM}	35	
Forward current	I_F	20	mA
Operating temperature range	T_{op}	- 55 ... + 150	°C
Storage temperature range	T_{stg}	- 55 ... + 150	
Thermal Resistance			
Junction - ambient	$R_{th\text{ JA}}$	450	K/W



Electrical Characteristics

at $T_A = 25\text{ }^\circ\text{C}$, unless otherwise specified.

Parameter	Symbol	Values			Unit
		min.	typ.	max.	
Reverse current $V_R = 30\text{ V}$ $V_R = 30\text{ V}, T_A = 85\text{ }^\circ\text{C}$	I_R	– –	– –	10 200	nA
Diode capacitance, $f = 1\text{ MHz}$ $V_R = 1\text{ V}$ $V_R = 28\text{ V}$	C_T	36 2.4	38.7 2.6	42 2.9	pF
Capacitance ratio $V_R = 1\text{ V}, 28\text{ V}; f = 1\text{ MHz}$	C_{T1} _____ C_{T28} _____	13.5	14.9	–	–
Capacitance matching $V_R = 1\text{ V} \dots 28\text{ V}; f = 1\text{ MHz}$	C_T _____ C_T _____	–	–	2.5	%
Series resistance $C_T = 12\text{ pF}, f = 100\text{ MHz}$	r_s	–	0.6	–	
Series inductance	L_s	–	2	–	nH

Diode capacitance $C_T = f(V_R)$

$f = 1\text{ MHz}$

